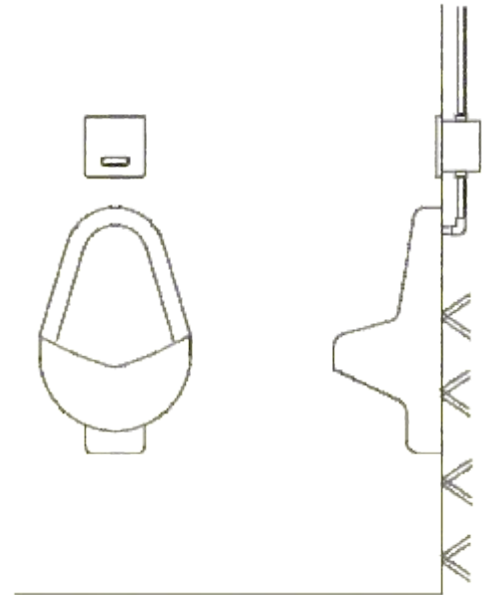


## F2 - CONCEALED URINAL FLUSHER



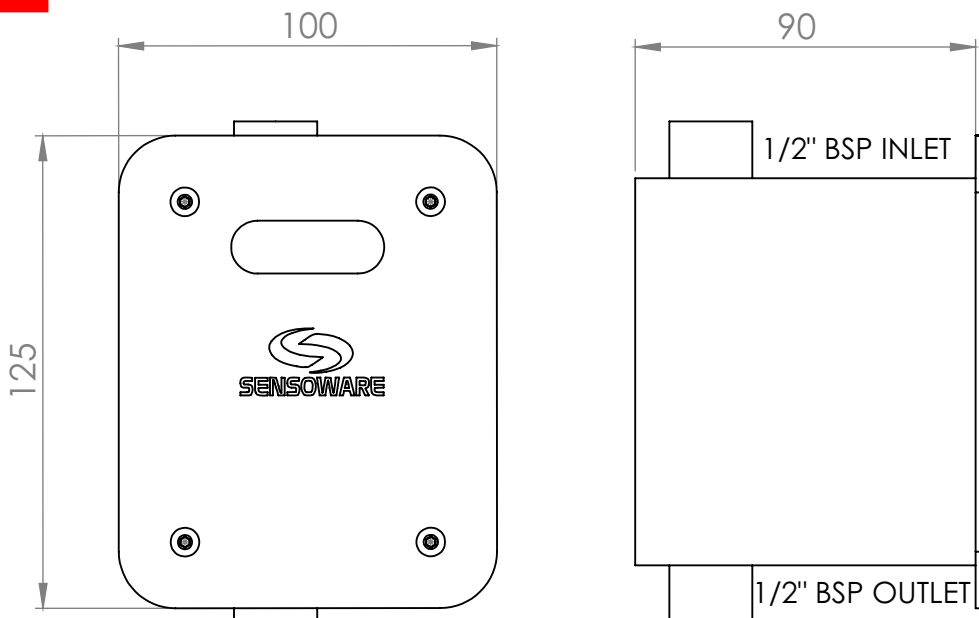
F2

AC/DC  
(Recommended for commercial use)



Installation Layout

### F2 CONCEALED MODEL



#### Technical Specification:

Sensing Method: Wide Angle IR Beam

Operating Voltage: 6V DC

Flushing Program: Pre flush and Post flush

Power: Internal Sealed AC/DC Supply.

Design: Compact and encloses the Sensor system, Solenoid Valve, Flow Control Valve and AC/ DC Supply. All inside the box. No false ceiling requirement.